

EXAMPLE

SITE PLAN WORKSHEET

Place a (x) mark beside each item that has been indicated on your site plan, incomplete site plans will be returned for your completion.

- The dimensions of each property lines
- The proposed new structure location and dimensions/sq. footage of proposed new structure
- The proposed location of all additional existing structures (e.g.: facility, wells, outbuildings, pools). Show the distance from the road and the side of the property line to all structures. Be sure and give the dimensions for all structures. If you are unsure as to the structure size, please show the dimensions of the MAXIMUM area of the lot that you anticipate structure will cover.

Label adjoining streets

A north arrow or other sufficient directional indicator

Any proposed structures of improvements to the property such as garages, workshops, pools, etc. If there are none write "N/A"

The location of any easement of rights of way on the property. If there are none, write "N/A"

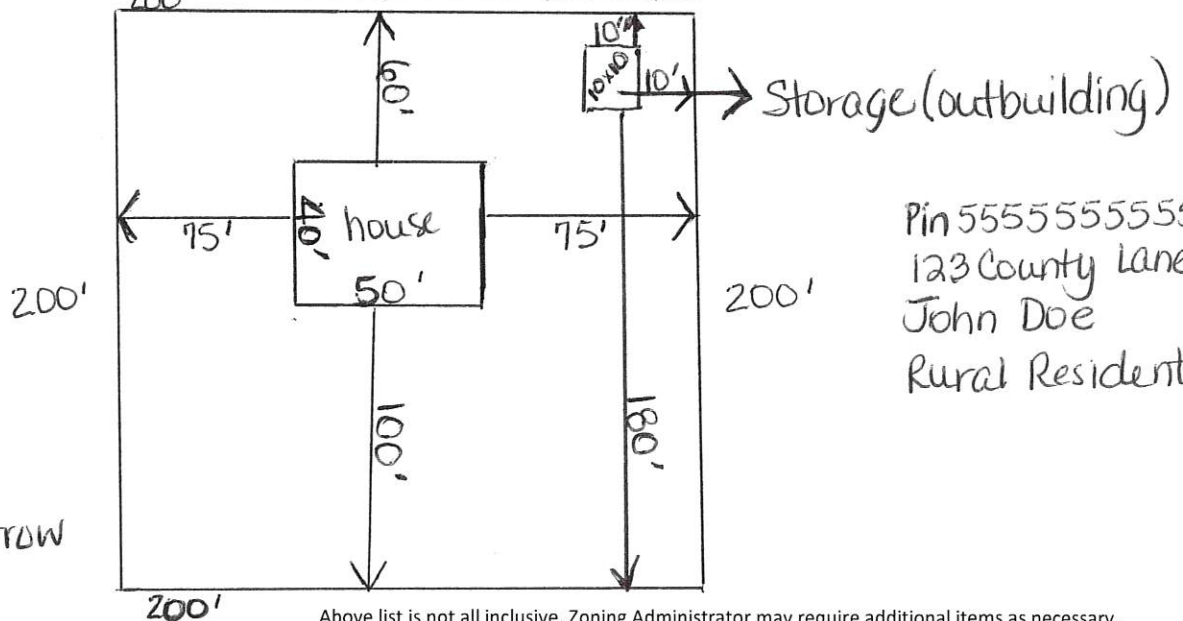
The location of any designated wetlands on the property. If there are none, write "N/A"

Parcel ID number, address of property, name of land owner, zoning classification

Signature and Date

 5-9-18

Please use this space to draw your site plan



Above list is not all inclusive. Zoning Administrator may require additional items as necessary.

Version 2018-5-9